

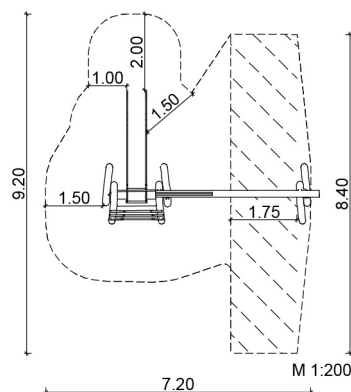
5.876 Multi unit «Flying squirrel»



Description:

- 1 Slide-A-Frame
with slide support h = 1.5 m
- 1 Ladder
w max. 1.5 m; h = 1.5 m
- 1 Slide (Stainless steel)
w = 0.5 m; h = 1.5 m
- 1 Attachment Swing 1-seated h = 2.6 m
colour: robinia bright

	5 – Multi units
	3 – 6 years
	~ 4 children
	1.6 m
	from 5
	51.0 m ²
	~ 620 kg; biggest ~ 300 kg
	2 installers at 7 h; + equipment
	7
	~ 1.0 m ³



Last update: 11/2024

SIK-Holz quality inspection according to DIN EN 1176 at the factory by a qualified playground inspector.



master enterprise for wood sculpture
© SIK-Holzgestaltungs GmbH