

5.48 U3 Multi unit «Little-Karibu»

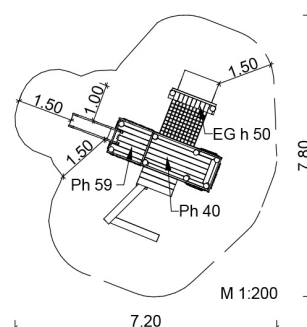


Description:

- 1 Play tower quadrangular with partially side wall
2.0 x 1.0 m; Ph = 0.4 m
- 2 Windows
- 1 In-built bench
- 1 Attached play tower quadrangular partially side wall; 1.0 x 1.0 m; Ph = 0.59 m
- 1 Slide (stainless steel); w = 0.5 m; h = 0.59 m
- 1 Net quadrangular; 1.0 x 1.0 m; MS 10/10 cm
- 1 Connecting section; w = 1.3 m; Ph = 0.5 m
- 1 Slanted belt; w = 1.0 m; h = 0.5 m
- 1 Attached platform quadrangular 0.5 x 1.0 m; Ph = 0.4 m
- 2 Seating- and baking boards; l ~ 1.5 m coloured design
- Net: nature

similar construction

	5 - Multi units
	1 - 3 years
	~ 12 children
	0.59 m
	from 3
	56.0 m ²
	~ 870 kg; biggest ~ 450 kg
	2 installers at 16 h; + equipment
	17
	~ 2.1 m ³



Last update: 07/2023

SIK-Holz quality inspection according to DIN EN 1176 at the factory by a qualified playground inspector.



master enterprise for wood sculpture
© SIK-Holzgestaltungs GmbH

5.48 U3 Multi unit «Little-Karibu»



similar constuction