

## 8.05.27 Water play unit «Weser»



### Description:

1 Pump platform; 1.0 x 1.0 m; Ph = 0.4 m  
 1 Water gutter, swiveling; l = 1.8 m  
 1 Tree fork, composite; l ~ 2.5 m on 3 support posts  
 divided in 3 chambers (2 x open; 1 x closed)  
 with 2 drain plugs  
 1 Water gutter on 2 support posts; l ~ 2.0 m  
 1 Water wheel (stainless steel);  $\varnothing = 30$  cm; w = 15 cm  
 1 Water tube on 2 support posts; l ~ 1,5 m  
 Colour: robinia bright

### optional:

8.30.8 or 8.30.8.1 Water pump  
 8.30.5 Water point

8 – Sand and water play

3 – 12 years

~ 10 children

0.4 m

from 3

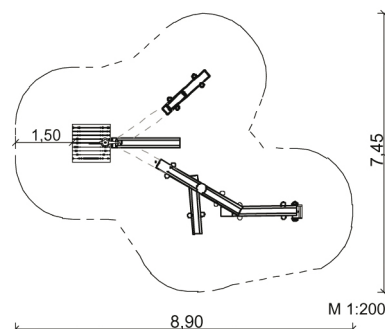
50.0 m<sup>2</sup>

~ 510 kg; biggest ~ 120 kg

2 installers at 12 h; + equipment

13

~ 1.25 m<sup>3</sup>



Last update: 07/2023

SIK-Holz quality inspection according to DIN EN 1176 at the factory by a qualified playground inspector.



master enterprise for wood sculpture  
 © SIK-Holzgestaltungs GmbH