

8.05.79 Water play unit «Saale»



Description:

- 1 Pump platform; 1.0 x 1.0 m; Ph = 0.4 m
 - 2 Water gutters on 2 support posts
l ~ 2.5 m; divided in 2 chambers
(1 open; 1 closed) with 1 drain plugs
 - 1 Standing Beam; l ~ 1.3 m
 - 1 Water trough; l = 1.0 m with 1 drain plug and
Water wheel (stainless steel)
 - 1 Water tube with carved «Fish» on
2 support posts; l ~ 1.5 m
 - 2 Water Gutter on 2 support posts; l ~ 2.0/1.5 m
 - 1 Mixing table with roundabout distributor
 - 1 Baking table «Water Lily»
- Colour: robinia bright
baking table and fish coloured

optional:

- 8.30.8 or 8.30.9 Water pump
- 8.30.5 Water point

i Notice:

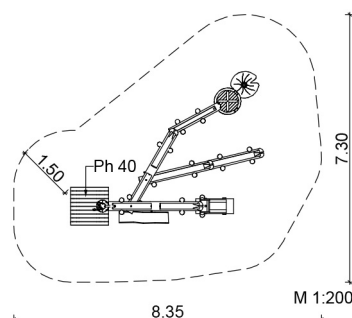
The Water play unit is suitable for installation on a slope.

i Notice:

Pump not included with the product. We are happy to offer it optionally upon request.



water pump



Last update: 10/2024

	8 – Sand and water play
	3 – 12 years
	~ 13 children
	0.4 m
	7/8
	41.3 m ²
	~ 755 kg; biggest ~ 100 kg
	2 installers at 16 h; + equipment
	18
	~ 1.5 m ³

SIK-Holz quality inspection according to DIN EN 1176 at the factory by a qualified playground inspector.



master enterprise for wood sculpture
© SIK-Holzgestaltungs GmbH