

5.862 Multi unit «Sloth»



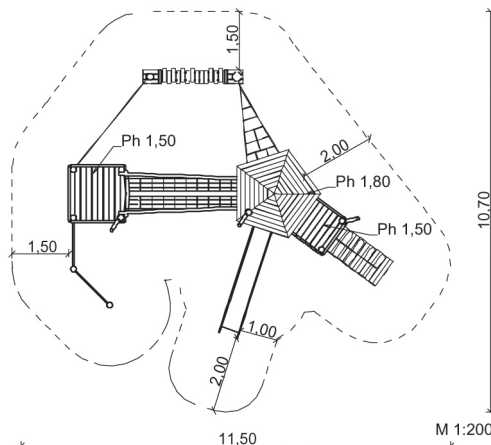
Description:

- 1 Play tower pentagonal with pitched roof and partially side wall; $\varnothing \sim 2.0$ m; Ph = 1.8 m
 - 1 Bench, 1 Table (below)
 - 1 Slide (stainless steel); w = 0.5 m; h = 1.8 m
 - 1 Attachment platform with partially side wall
1.25 x 1.25 m; Ph = 1.5 m
 - 1 Ramp with support rope; w = 0.8 m; h = 1.5 m
 - 1 Climbing wall; w = 1.25 m; h = 2.6 m
 - 1 Net triangular; 2.5/2.5/1.0 m; MS 30/30 cm
 - 1 Jungle-net-bridge; l = 3.0 m; w \sim 0.8 m
 - 1 Play tower quadrangular; 1.5 x 1.5 m; Ph = 1.5 m
 - 1 Vertical ladder; w = 1.5 m; h = 1.5 m
 - 1 Attachment double bars;
l (bar) = 1.2 m; h = 1.2 m and 0.8 m
 - 1 Balancing rope with support rope; l = 3.0 m
 - 1 Post with step; h = 2.0 m
 - 1 Wobbly Jetty; l = 2.0 m; w = 0.4 m
 - 1 Climbing post with step; h = 3.0 m
- Posts partly enlarged and with tree prong
Colour: robinia bright
Ropes and nets: blue

i Notice:

The standard colour of the wood is robinia bright, ropes and nets are blue!
The photo shows a customized product.

Last update: 10/2020



	5 – Multi units
	3 – 12 years
	~ 20 children
	1.8 m
	from 5
	85.0 m ²
	~ 2070 kg; biggest ~ 650 kg
	2 installers at 18 h; + equipment
	19
	~ 1.8 m ³

SIK-Holz quality inspection according to DIN EN 1176 at the factory by a qualified playground inspector.



master enterprise for wood sculpture
© SIK-Holzgestaltungs GmbH

5.862 Multi unit «Sloth»

