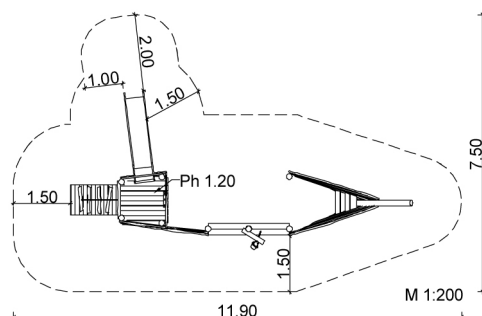


### 5.37.5 Play ship «Bounty»



#### Description:

- 1 Play tower trapezoid; 1.2/1.5 x 1.2 m; Ph = 1.2 m
- 1 Side wall; l = 1.2 m; h = 0.8 m
- 1 Side wall; l = 1.5 m; h = 0.8 m
- 1 Side wall; l = 1.2 m; h = 1.2 m
- 1 Built-in bench
- 1 Steering wheel
- 1 Ramp with support rope; w = 0.8 m; h = 1.2 m
- 1 Slide (stainless steel); w = 0.5 m; h = 1.2 m  
side walls on both sides
- 1 Side wall with entrance opening  
l = 1.2 m; h = 0.8 – 1.0 m
- 1 Side wall; l = 2.0 m; h = 0.6 m; with counter
- 1 Sand lift, rotating
- 2 Side walls (bow); l ~ 2.4 m; h = 0.6 – 1.25 m  
1 Side with entrance opening
- 2 Built-in benches
- Coloured design
- Rope: blue



Last update: 03/2021

	5 – Multi units
	3 – 6 years
	~ 12 children
	1.2 m
	from 5 (7/8 in the area of sand play)
	60.0 m <sup>2</sup>
	~ 1010 kg; biggest ~ 350 kg
	2 installers at 12 h; + equipment
	12
	~ 1.0 m <sup>3</sup>

SIK-Holz quality inspection according to DIN EN 1176 at the factory by a qualified playground inspector.



master enterprise for wood sculpture  
© SIK-Holzgestaltungs GmbH