

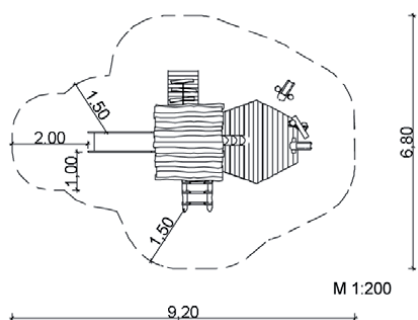
### 8.01.71 Sand play unit «Vole»



#### Description:

- 1 Play tower with gabled roof  
1.5 x 1.5 m; Ph = 1.0 m  
partly side walls; h = 0.8 m
- 1 Slanted ladder  
w = 0.8 m; h = 1.0 m
- 1 Slide (stainless steel)  
w = 0.5 m; h = 1.0 m
- 1 Slanted ramp with support rope  
w = 0.8 m; h = 1.0 m
- 1 Tree trunk stairs
- 1 Attachment platform hexagonal  
∅ ~ 2.2 m; Ph = 0.4 m
- 1 Sand chute, simple
- 1 Sand dump, tilting one-way
- 1 Sand lift, rotating
- Colour: robinia bright
- Rope: blue

	8 – Sand and water play
	3 – 6 years
	~ 10 children
	1.0 m
	7/8
	42.0 m <sup>2</sup>
	~ 1150 kg; biggest ~ 550 kg
	2 installers at 14 h; + equipment
	15
	~ 1.25 m <sup>3</sup>



Last update: 03/2021

SIK-Holz quality inspection according to DIN EN 1176 at the factory by a qualified playground inspector.



master enterprise for wood sculpture  
© SIK-Holzgestaltungs GmbH