

8.30.7.1 Gargoyle

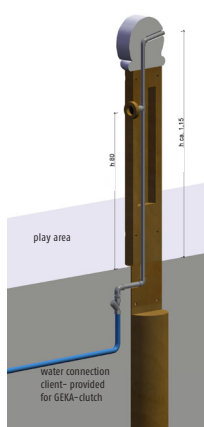


Technical specifications:

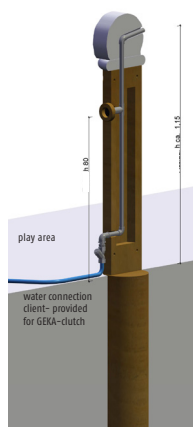
Diameter: ~ 0,20 - 0,30 m
 Height: 1,3 m (total)
 Material: robinia
 Supply: 1/2" strainer with GEKA clutch
 Fördermenge: ~ 0,2 l/s bei 3 bar flow pressure
 sculptures as attachment: frog, duck, pirat ...

- > Opens and closes by simple pressure on the button (adjustable flowing time)
- > Operating pressure of water pipe at least 1 bar
- > **Connection of the gargoyle to local water network with on-site emptying tap by customer**

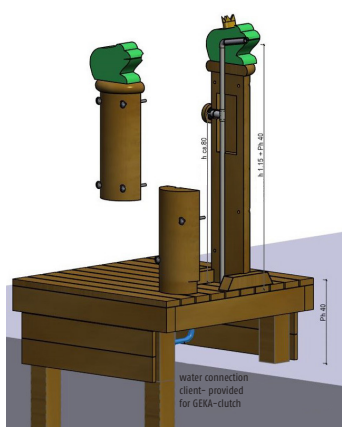
possibilities for construction:



8.30.7.1.1 water connection below play area



8.30.7.1.2 water connection above play area (only for non public areas)



8.30.7.1.3 water connection below platform

	8 – Sand and water play
	from 3 years
	1 person
	-
	-
	-
	~ 60 kg / ~ 30 kg
	2 installers at 1 h / 2 installers at 0.5 h
	1
	~ 0,2 m³ / no concrete

SIK-Holz quality inspection according to DIN EN 1176 at the factory by a qualified playground inspector.



master enterprise for wood sculpture
 © SIK-Holzgestaltungs GmbH

Last update: 05/2023