

8.30.9 Crank pump

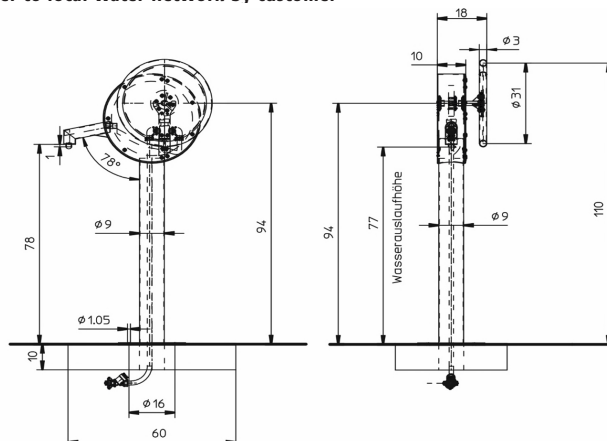
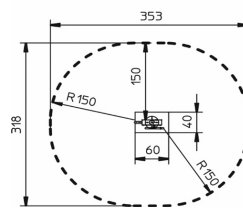


Technical specifications:

- Diameter (case): 34 cm
- Diameter (base): 16 cm
- Diameter (wheel): 31 cm
- Length (spout): 14.5 cm
- Height (spout): 77 cm

Material: stainless steel, glass bead blasted
 Connection: GEKA 1/2" coupling
 With self-closing valve for direct water connection
 Run-on time approx. 15-20 seconds

- > Optimal Operating pressure 2.5 bar (max. 3 bar)
- > Water Flow max. 6 l/min
- > Installation on pump platform or on stand
- > **Connection of water dispenser to local water network by customer**



Last update: 09/2024

	8 – Sand and water play
	from 3 years
	1 child
	-
	-
	-
	biggest part 20 kg
	1 installer at 1 h
	-
	-

SIK-Holz quality inspection according to DIN EN 1176 at the factory by a qualified playground inspector.



master enterprise for wood sculpture
 © SIK-Holzgestaltungs GmbH