

3.14.5

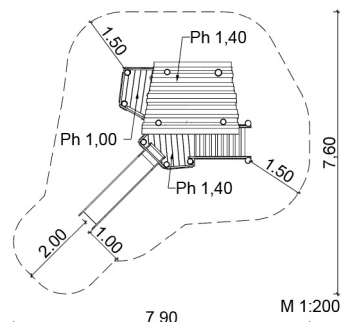
## Multi unit "Large shed"



### Description:

- Play tower with monopitch roof  
~ 1.55 x 1.55 x 1.95 x 1.5 m; Ph = 1.4 m
- 1 Play tower - trapezoidal (attachment)  
~ 1,0 x 1,1 x 1,15 x 1,55 m; Ph = 1.0 m
- 1 Play tower pentagonal (attachment)  
~ 0.8 x 1.0 x 0.6 x 1.1 x 1.05 m;  
Ph = 1.4 m
- 1 vertical ladder  
w = 1.1 m; h = 1.0 m
- 1 slanted ladder  
w = 0.6 m; h = 0.4 m
- 1 Stairs with side wall  
h = 1.4 m; w = 0.85 m
- 1 Slide (stainless steel)  
w = 0.5 m; h = 1.4 m

Coloured design



Last update: 10/2025

☰ Multi units

👤 6 – 12 years

👥 ~ 12 children

📏 1.4 m

🌳 from 5

📐 60,4 m<sup>2</sup>

📦 kg

🕒

📐 12

📏

🏆 SIK-Holz®-quality inspection according to DIN EN 1176 at the factory by a qualified playground inspector.

**SIK-Holz®**  
Spielen – Individuell – Kreativ

master enterprise for wood sculpture  
© SIK-Holzgestaltungs GmbH